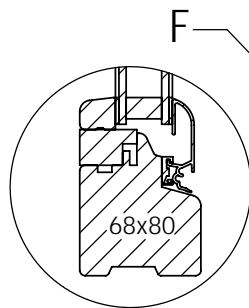
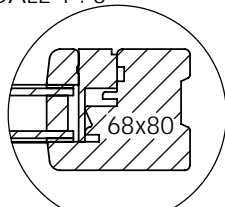
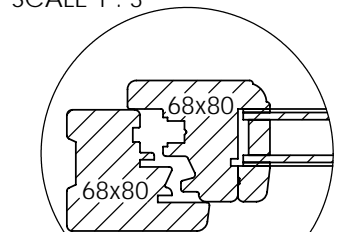


DETAIL G
SCALE 1 : 3

DETAIL H
SCALE 1 : 3

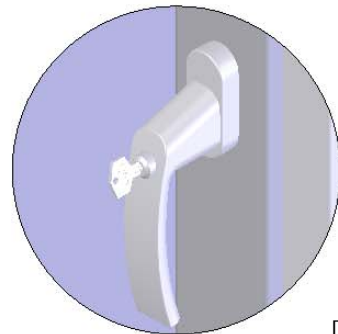
DETAIL F
SCALE 1 : 3

SECTION A-A
SCALE 1 : 10

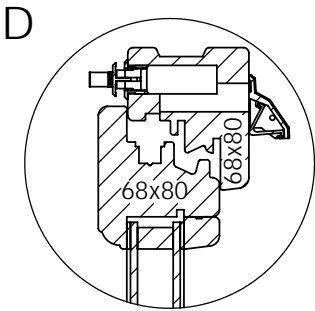


SECTION A-A
SCALE 1 : 10

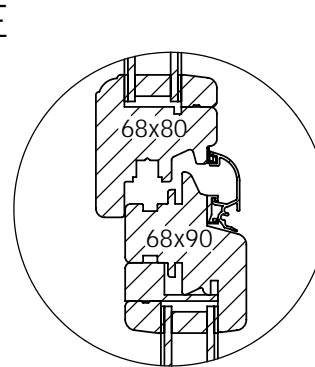
C



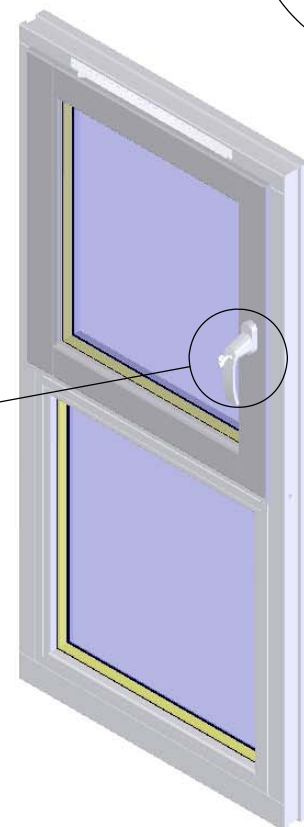
DETAIL C
SCALE 1 : 3



DETAIL D
SCALE 1 : 3



DETAIL E
SCALE 1 : 3



DWG NAME:-	
TILT & TURN - 2A	
Blairs of Scotland LTD. 9 BAKER STREET GREENOCK, SCOTLAND PA15 4TU Tel. 01475 721256 Fax. 01475 729313	
BLAIRS	
Please note that these drawings are protected by copyright, and the designs are the ownership of BLAIRS of SCOTLAND LTD. No copying or reproduction of these drawings is permitted without the prior approval of BLAIRS of SCOTLAND LTD.	
DWG NO.	TT 2A
SCALE	1:10 SH1 FORMAT A3 SH1 NO. OF NO.