

# BLAIRS

High quality timber windows and doors



A seamless experience  
of expertise.

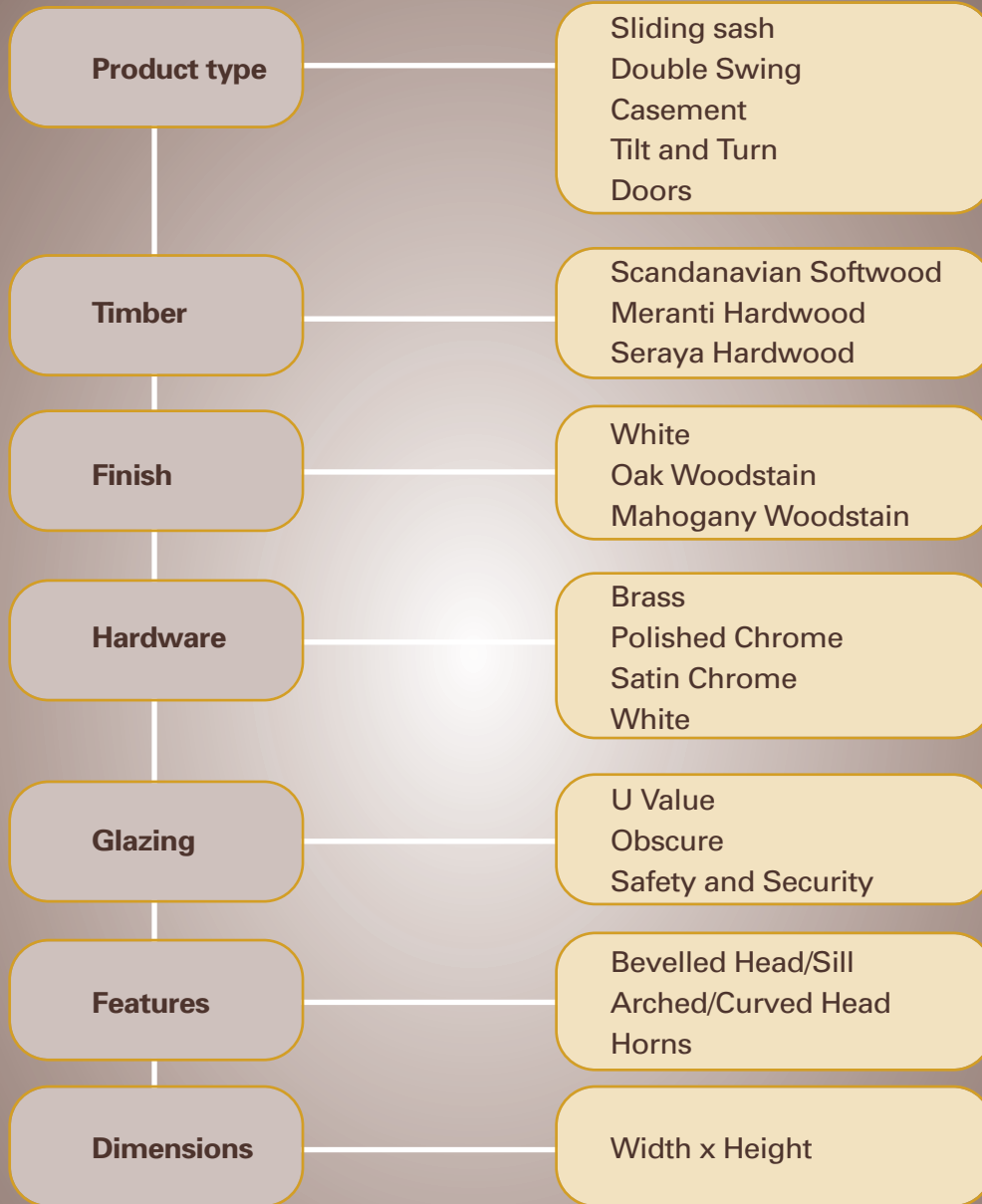


# Window Specifications

View our projects on [www.blairswindows.co.uk](http://www.blairswindows.co.uk)

To Discuss your project, call our sales team on 01475 721256

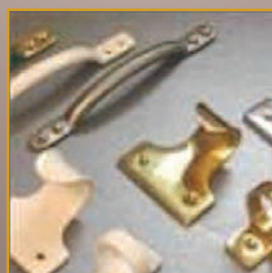
Alternatively you can email your project to [sales@blairswindows.co.uk](mailto:sales@blairswindows.co.uk)



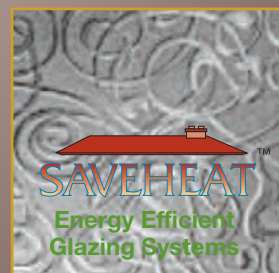
Finishes



Hardware



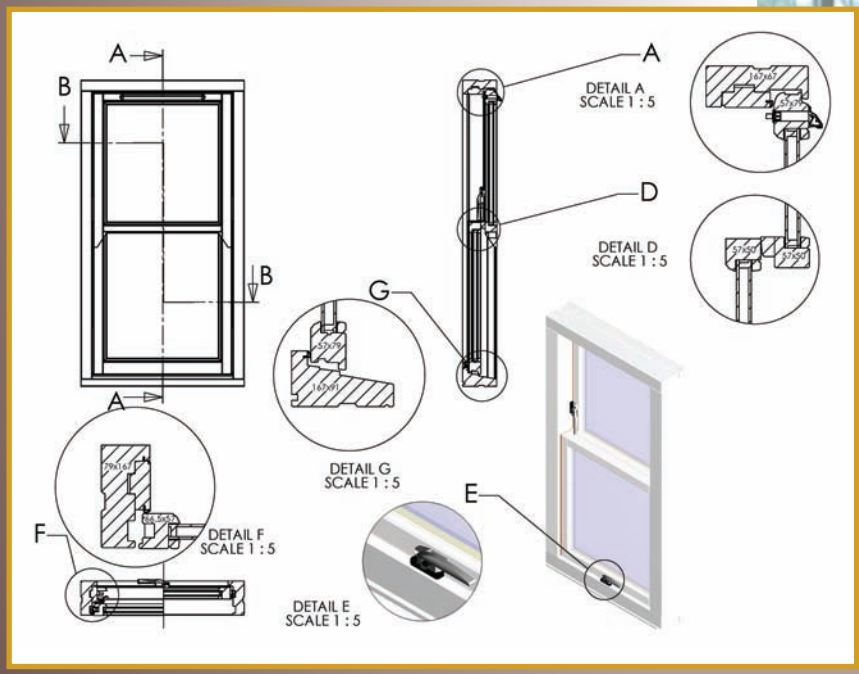
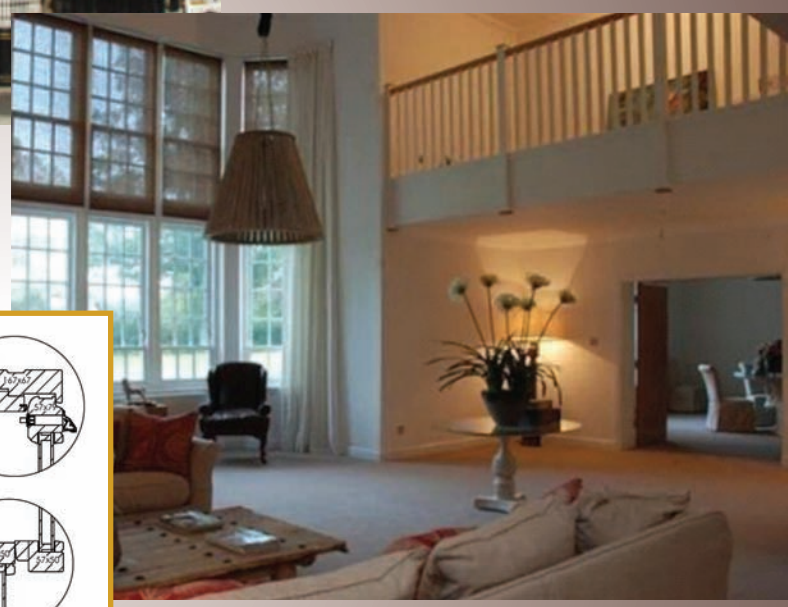
Glazing



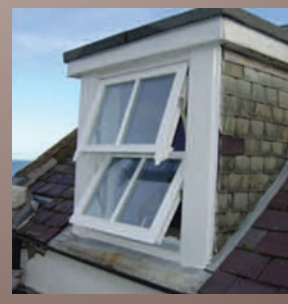
Every Blairs window comes fitted with a Saveheat energy efficient glazing system as standard.

[www.saveheat.net](http://www.saveheat.net)

# Product Type: Double Swing

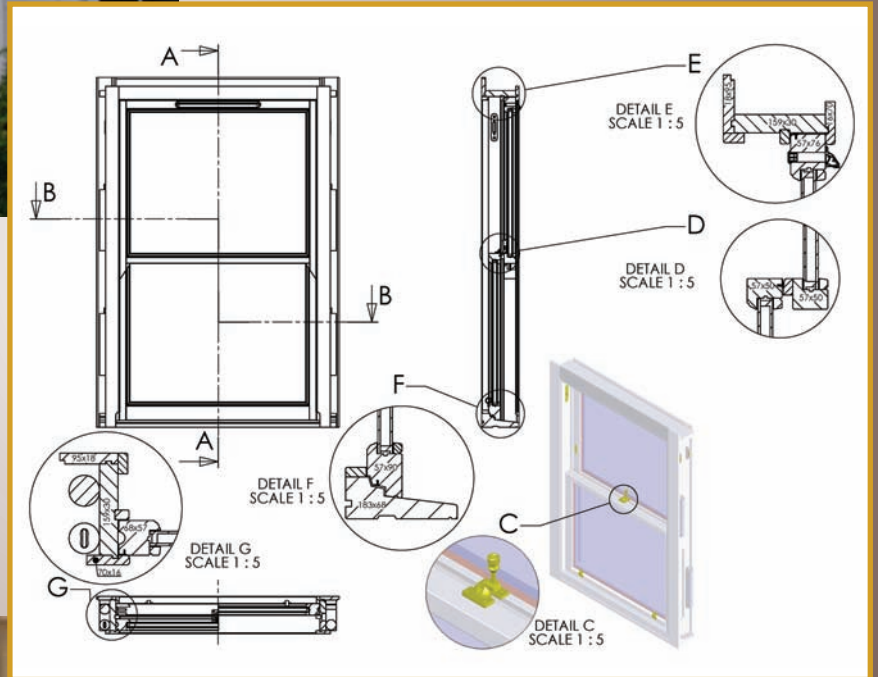


## Opening Function: Fully Reversible Sashes



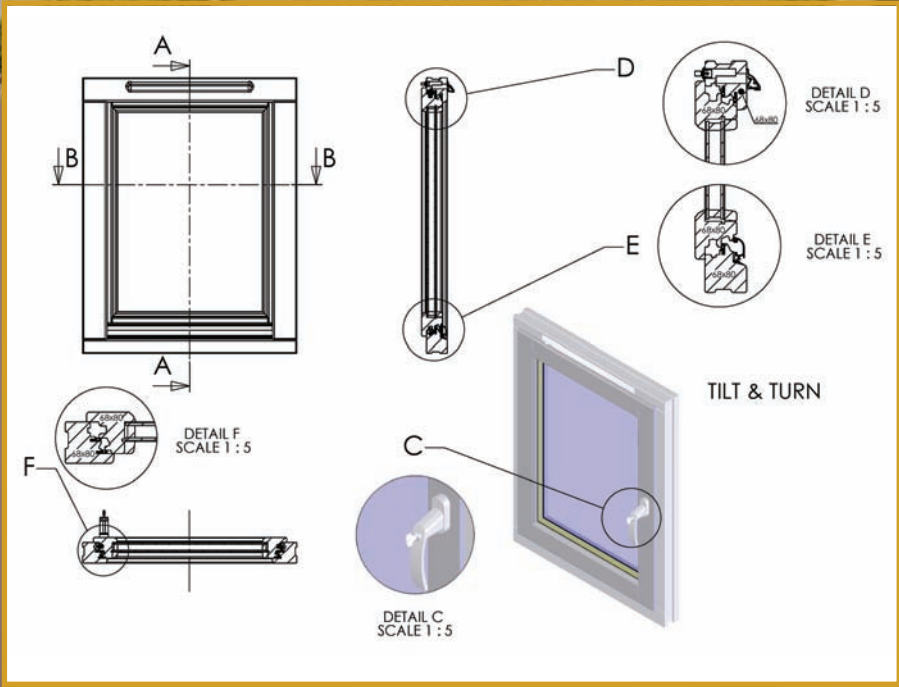
# Product Type: Sliding Sash and Case

Opening Function: Vertical Sliding





Product Type:  
Tilt and Turn

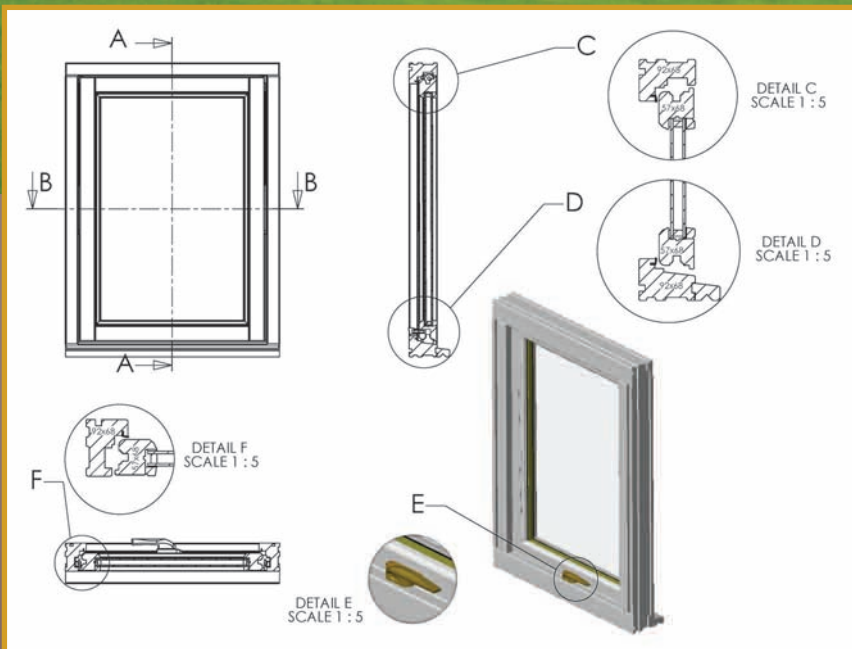


Opening Function:  
Inward Opening  
Tilt and Side Hung



# Product Type: Casement

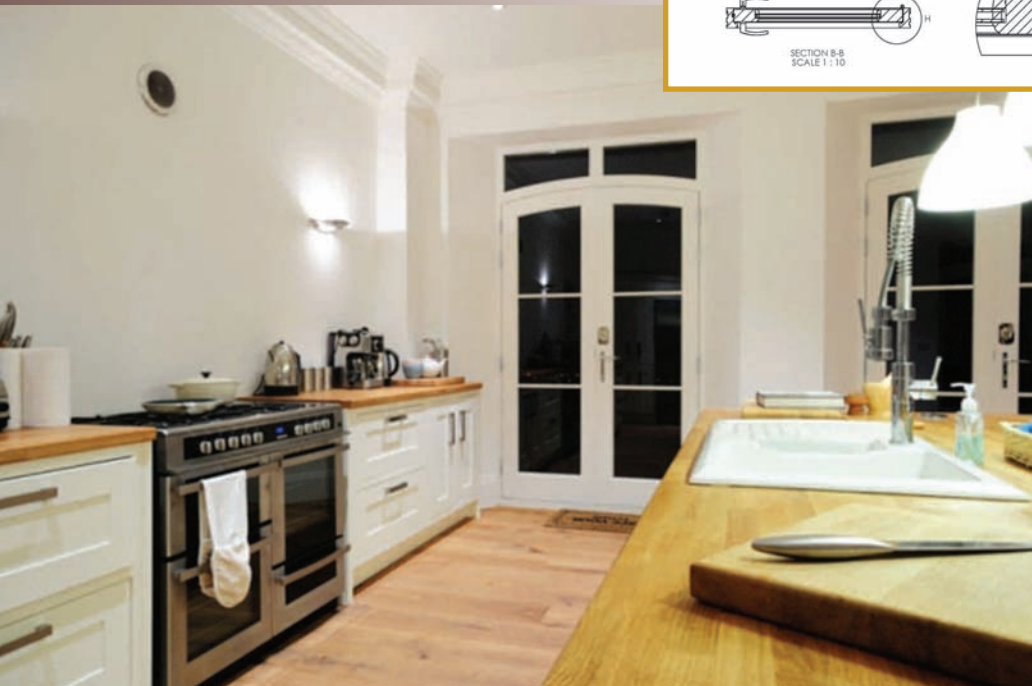
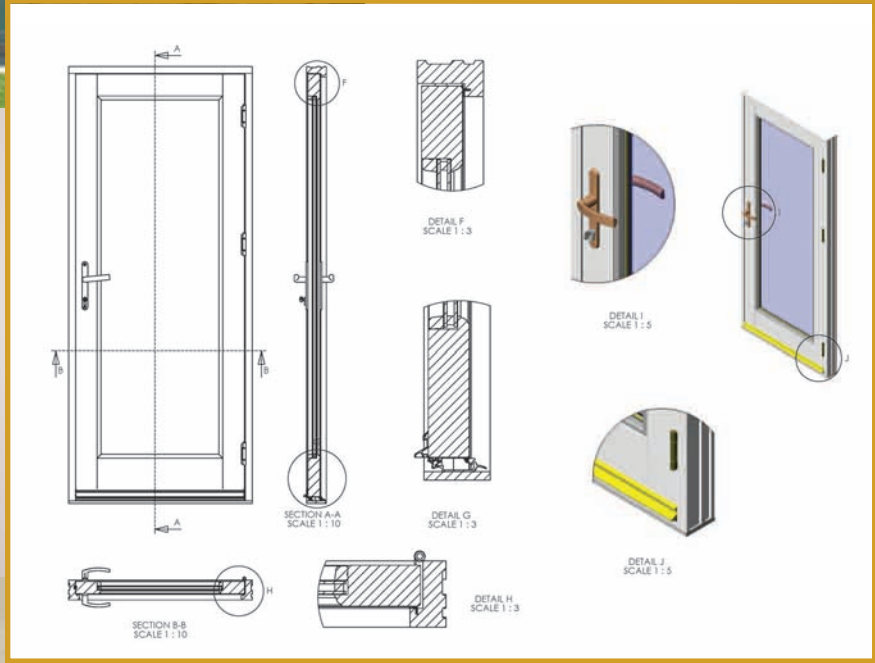
Opening Function: Outward Side Hung and Top Hung





# Product Type: Doors

Opening Function:  
Inward and  
Outward Opening



# BLAIRS

High quality timber windows and doors



Contact Details:

**t: 01475 721256**

**Blairs Windows Limited**

**9 Baker Street**

**Greenock PA15 4TU**

**Fax: 01475 729313**

**e: [sales@blairswindows.co.uk](mailto:sales@blairswindows.co.uk)**

**[www.blairswindows.co.uk](http://www.blairswindows.co.uk)**