

OPERATION INSTRUCTIONS

01 - UNLOCK SASH

Unscrew and open the sash fastener.

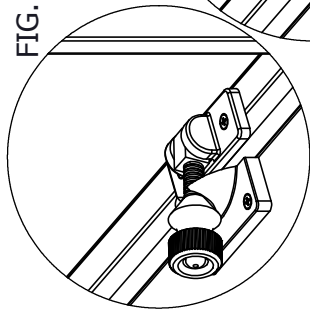


FIG. 1A

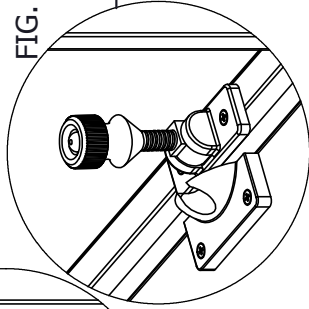


FIG. 1B

02 - CLOSE SASH STOP

If fitted, close the sash stop by moving the slide up and rotating the stop so it is flush with the sash

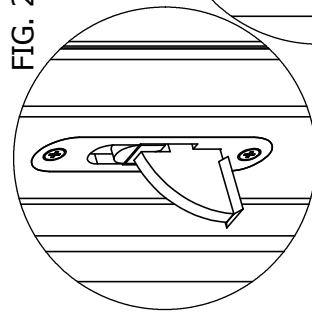


FIG. 2A

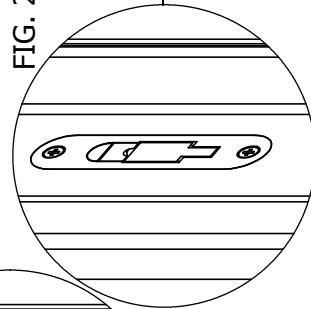
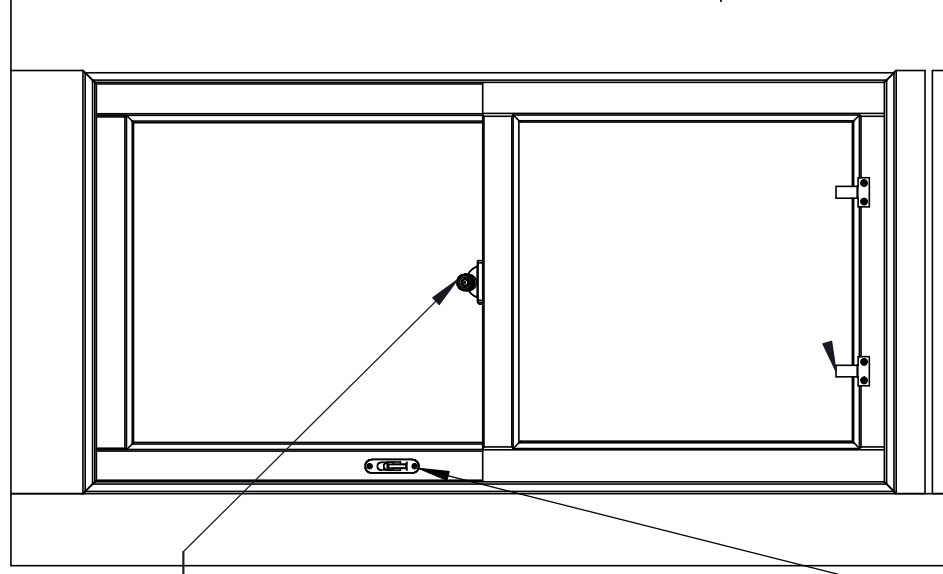


FIG. 2B



03 - OPEN SASH

Lift the bottom sash using the sash lifts

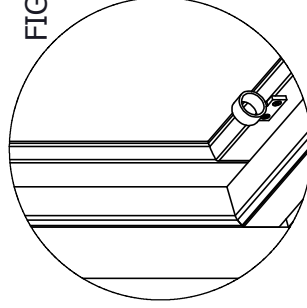


FIG. 3A

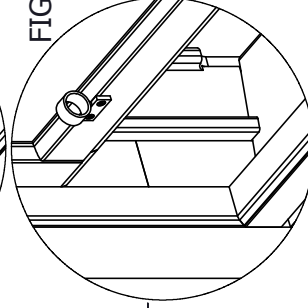


FIG. 3B

SASH AND CASE OPERATION INSTRUCTIONS

BLAIRS WINDOWS LTD.
9 BAKER STREET
GREENOCK
SCOTLAND
PA15 4TU
TEL: 01475 721 256
FAX: 01475 729 313



Please note that these drawings are protected by copyright and the designs are the ownership of BLAIRS WINDOWS LTD. No copying or reproduction of these drawings is permitted without the prior approval of BLAIRS WINDOWS LTD.