

CLEANING USING THE OPTIONAL SIMPLEX SYSTEM

01 - UNLOCK SASH

Unscrew and open the sash fastener and, if fitted, close the sash stop.

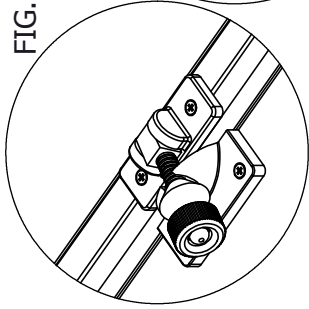


FIG. 1B

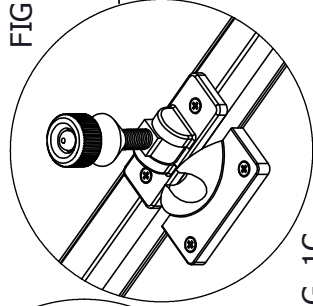


FIG. 1C

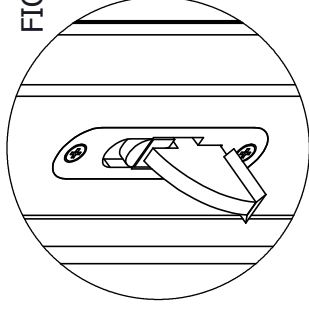


FIG. 1D

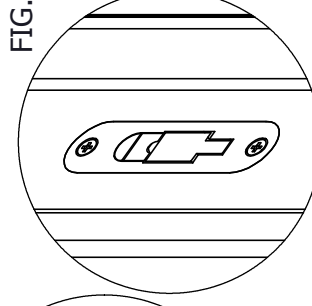
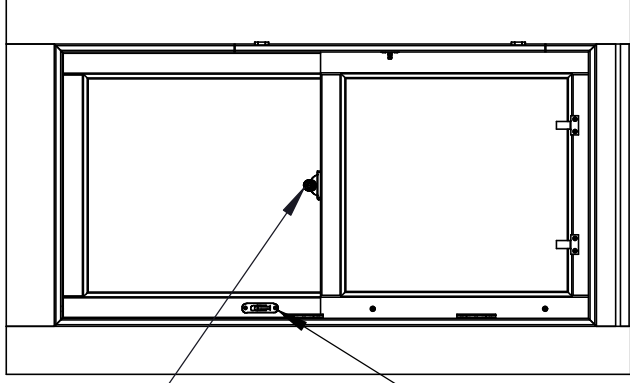


FIG. 1



02 - ENGAGE SLOTTED HINGE

Lift the bottom sash until the dome head screws pass above the slotted hinges. Fold the hinges against the face of the sash and slide the sash down until the screws locate in the slots.

FIG. 2A

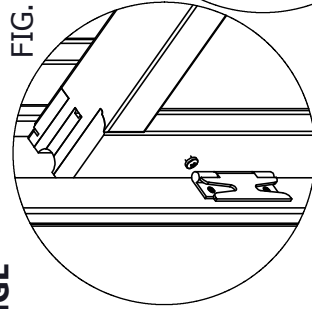


FIG. 2B

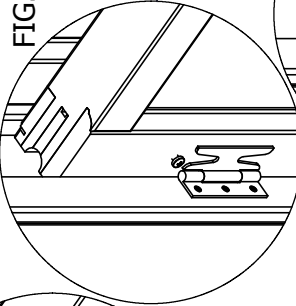


FIG. 2C

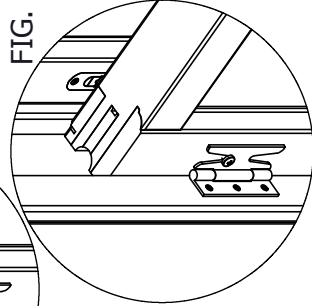
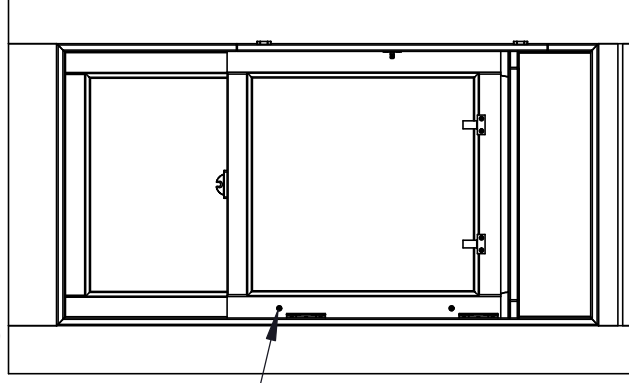


FIG. 2



SASH AND CASE SIMPLEX OPERATION INSTRUCTIONS - 1

BLAIRS WINDOWS LTD.
9 BAKER STREET
GREENOCK
SCOTLAND
PA15 4TU
TEL: 01475 721 256
FAX: 01475 729 313



BLAIRS

Please note that these drawings are protected by copyright, and the designs are the ownership of BLAIRS WINDOWS LTD. No copying or reproduction of these drawings is permitted without the prior approval of BLAIRS WINDOWS LTD.

03 - HEAVY DUTY HARDWARE

If the window is fitted with the heavy duty cord assembly (over 1100mm wide), attach the cord to the corner of the sash and tighten to support the sash.

FIG. 3

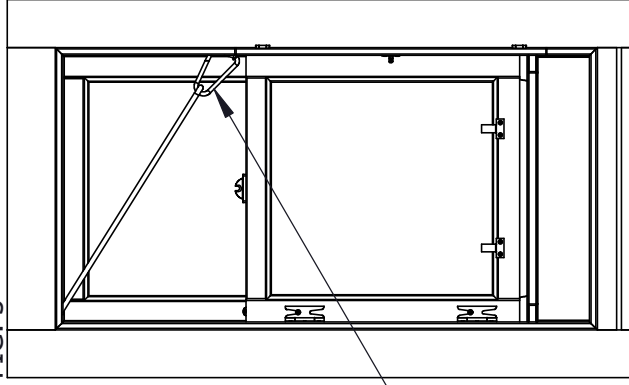


FIG. 3A

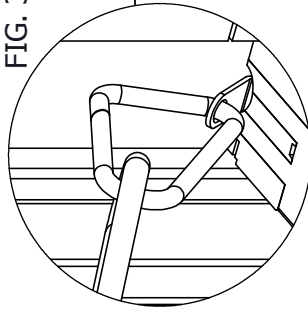
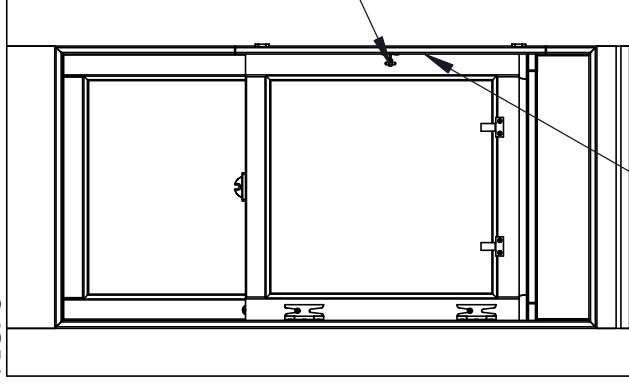


FIG. 5



05 - OPEN BATON ROD GATE

Loosen the turn screw and hinge back the baton rod gate.

FIG. 5A

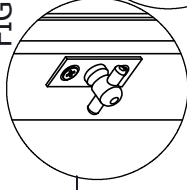


FIG. 5B

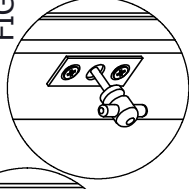


FIG. 5C

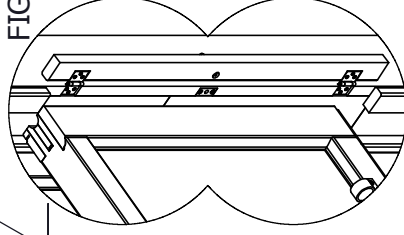
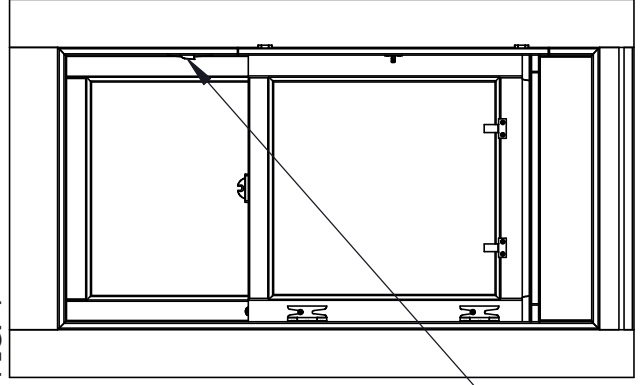


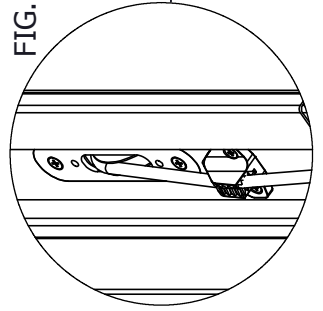
FIG. 4



04 - LOCK SASH CORD

On the opposite side of the sash to the hinges, pull the sash cord down and latch into the cord cleat to give some slack to the opening side of the sash.

FIG. 4A



SASH AND CASE SIMPLEX OPERATION INSTRUCTIONS - 2

BLAIRS WINDOWS LTD.
9 BAKER STREET
GREENOCK
SCOTLAND
PA15 4TU
TEL: 01475 721 256
FAX: 01475 729 313

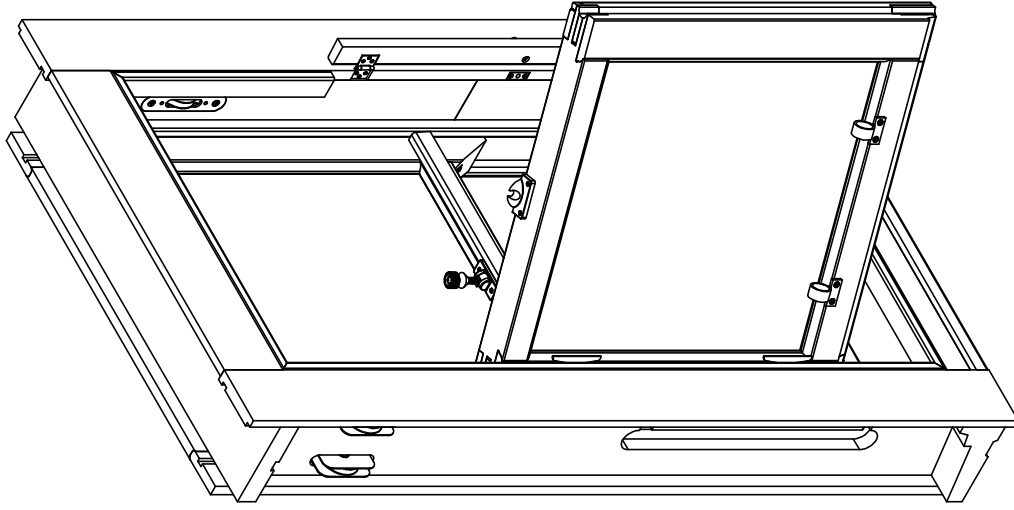


Please note that these drawings are protected by copyright, and the designs are the ownership of BLAIRS WINDOWS LTD. No copying or reproduction of these drawings is permitted without the prior approval of BLAIRS WINDOWS LTD.

06 - OPEN BOTTOM SASH

Hinge the bottom sash inwards.

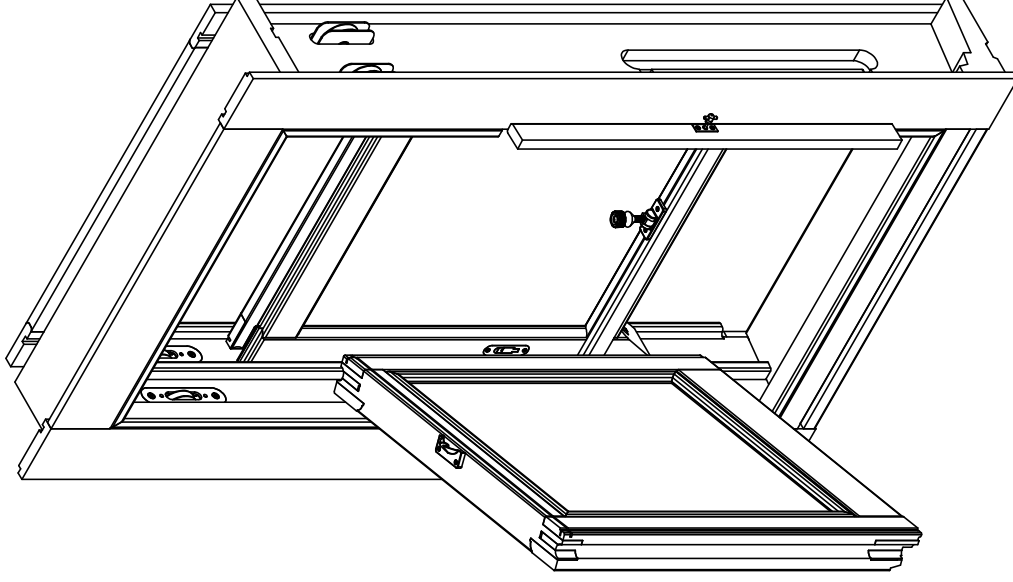
FIG. 6



07 - LOWER TOP SASH

With the bottom sash in the open position slide the top sash down until it is accessible for cleaning.

FIG. 7



08 - CLOSE WINDOW

Reverse the steps to bring the sashes back to the closed position.

SASH AND CASE SIMPLEX OPERATION INSTRUCTIONS - 3

BLAIRS WINDOWS LTD.
9 BAKER STREET
GREENOCK
SCOTLAND
PA15 4TU
TEL: 01475 721 256
FAX: 01475 729 313



Please note that these drawings are protected by copyright, and the designs are the ownership of BLAIRS WINDOWS LTD. No copying or reproduction of these drawings is permitted without the prior approval of BLAIRS WINDOWS LTD.